



Arrive InfoPoint™

Interactive Room Signs

Model AIP-ID-800



Arrive InfoPoint™ is a leading interactive room signage system with cross platform compatibility for powerful room reservation, resource scheduling, and broadcast signage system that enables efficient utilization of room resources in shared spaces. The scheduling platform eliminates double-booking conflicts and ensures that room schedules are optimized. The integrated large touch-screen display provides booking information at a-glance right outside the room door. It shows the roomreservation calendar, start, end and remaining time of ongoing bookings, or the next reservation to help optimize free or busy status, very visually.

The powerful integrated software provides users the ability to reserve rooms remotely via web, Office 365, Microsoft® Exchange™ and Google Calendar in advance, or make instant reservations right outside the door depending on the chosen Arrive InfoPoint™ calendar platform support.



AIP-ID-800



Key Features

- ⦿ Reserve and schedule from web-based User Interface or directly from the Arrive®InfoPoint™ Touch Panel
- ⦿ Fully integrated with Microsoft® Outlook™/ Microsoft Exchange calendars meeting invitation process.
- ⦿ Seamless integration with other ARRIVE products such as the Arrive® FacePoint and Arrive RoomPoint.
- ⦿ Schedule recurring events on a daily, weekly, or monthly basis
- ⦿ Display a room’s schedule for the day, or future days directly from the touch panel
- ⦿ Use as a signage medium to display images or broadcast emergency announcements and other information on demand
- ⦿ Display important messages via the Note button on the front panel for meeting attendees when the room is booked or “busy”
- ⦿ Create, Extend, End, and View room schedules on-the-fly
- ⦿ Generate Reports and export room usage statistics
- ⦿ Group Rooms and Users for easy management
- ⦿ Preset buttons on the touch panel make it easy for users to interact with the system



Hardware

Display

Screen Size (diagonal)	8" (20.32 cm)
Touch technology	Capacitive Touch
Sensing object	Finger
Supported formats	Image: JPEG, BMP, PNG
Highly Visible Status Light	Arrive’s unique LED reflected pipe: Red for “Busy”, Green for “Free”
Power	PoE/ DC9V(in case PoE is not available)



Software and Functional Specifications

Network Communication	RJ45: x1, Ethernet 10/100 Mbit, PoE
UI Languages	English, French, Arabic
Software	<p>Arrive InfoPoint Application is available in three software versions:</p> <ul style="list-style-type: none"> • Enterprise Version for Microsoft Exchange and Microsoft Office 365 • Enterprise Version for Google Calendar • Standalone Version for Google Calendar

Arrive InfoPoint™ with Enterprise EMS integrated with MS Exchange/ Microsoft Office 365	Arrive InfoPoint™ with Enterprise EMS integrated with Google Calendar
<p>All features of EMS used by Arrive InfoPoint™ are available in both versions. for example:</p> <ul style="list-style-type: none"> • Ad-hoc and future booking • End –Extend current meeting • Survey • Digital Signage • Sticky note • Calendar display • Room types will be Meeting, Conference, Auditorium, Classroom, Training • Settings page etc. 	
<p>Pre-requisites:</p> <ul style="list-style-type: none"> • Impersonated user and Password • Domain Name, Exchange service URL (EWS URL) to synchronize with room mail box, Power shell URL to fetch users and rooms. 	<p>Pre-requisites:</p> <ul style="list-style-type: none"> • Admin credentials (User name, Password) • Domain name
User synchronization from Exchange server	User synchronization from Google domain server
Room synchronization from Exchange server	Room synchronization from Google domain server
Schedule polling from room mail box in Exchange	Schedule polling from room/resource calendar in Google Calendar
Single and recurring scheduling possible	Single and recurring scheduling possible
Add/Edit/Delete for synchronized schedules	Add/Edit/Delete for synchronized schedules
Scheduling of meeting with attachments and attendees	Scheduling of meetings with attendees only With attachments will be in later release

Enterprise and StandAlone Arrive InfoPoint™ with Google Calendar

Arrive InfoPoint™ with Enterprise EMS for Google Calendar	Arrive InfoPoint™ Stand Alone for Google Calendar
Pre-requisites: <ul style="list-style-type: none"> Admin credentials (User name, Password) Domain name 	Pre-requisites: <ul style="list-style-type: none"> Admin credentials (User name, Password) Domain name
Room types can be Meeting, Conference, Auditorium, Classroom, Training	Room type is only Meeting
Users synchronization from Google domain server	Not Applicable
Room synchronization from Google domain server	Dedicated to one room configuration wizard – Room calendar URL, Room mail id
Add/Edit/Delete for synchronized current and future schedule	<ul style="list-style-type: none"> Edit/Delete synchronized current schedule Add current or future schedule
Scheduling of meetings with attendees only supported. (Schedules accompanied with attachments such as meeting agendas in document formats, etc. will be in later release)	Not Applicable
All features of Enterprise EMS used by Arrive InfoPoint™ remain the same, for example: <ul style="list-style-type: none"> Ad-hoc and future booking End –Extend current meeting Survey for classrooms Digital Signage Sticky note Calendar display Room types will be Meeting, Conference, Auditorium, Classroom, Training Settings page etc. 	Following features from Enterprise EMS used by Arrive InfoPoint™ are available: <ul style="list-style-type: none"> Ad-hoc and future Booking Sticky note Calendar display Setting page
Schedule polling from room/resource calendar	
Single and recurring scheduling possible	

System requirements

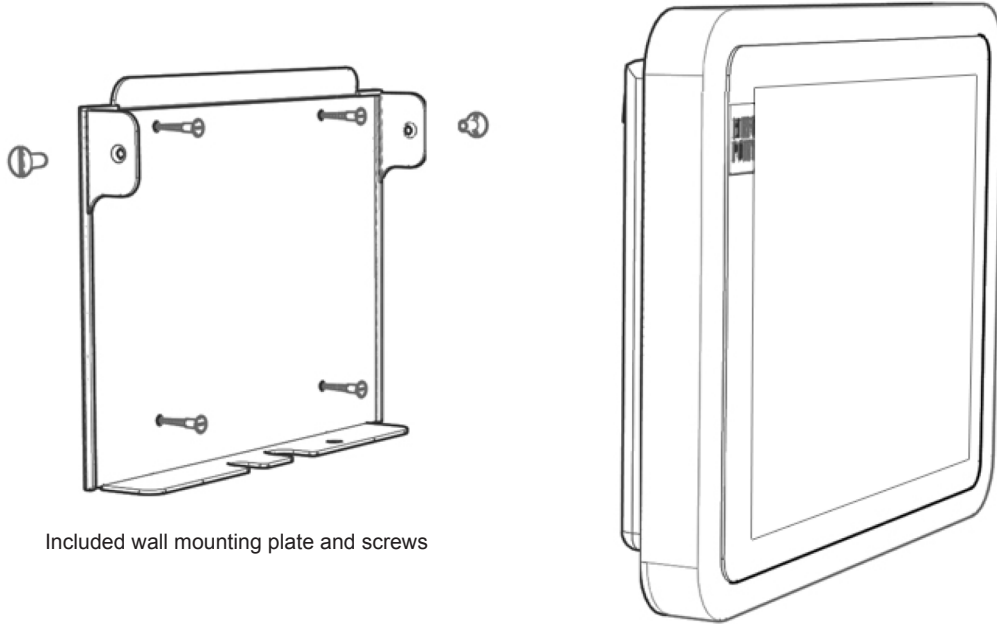
- Enterprise version requires Arrive Edgeless Media Server (EMS) (available separately) running in a virtual or physical Windows Server 2008R2 / 2012 environment with IIS and SQL/SQL Express .

SPECIFICATIONS

Arrive InfoPoint™ ID- 800 Interactive Room Sign

Model AIP-ID-800

Frame/Case and Mounting



Included wall mounting plate and screws

Frame/Case	Translucent Epoxy Acrylic and Aluminum Alloy
Color	Silver
Mounting	Surface/Wall Mounted
Mounting Holes	VESA® 100mm
Mounting Kit included	1x Mounting plate, 4pcs screw

Certification and compliance

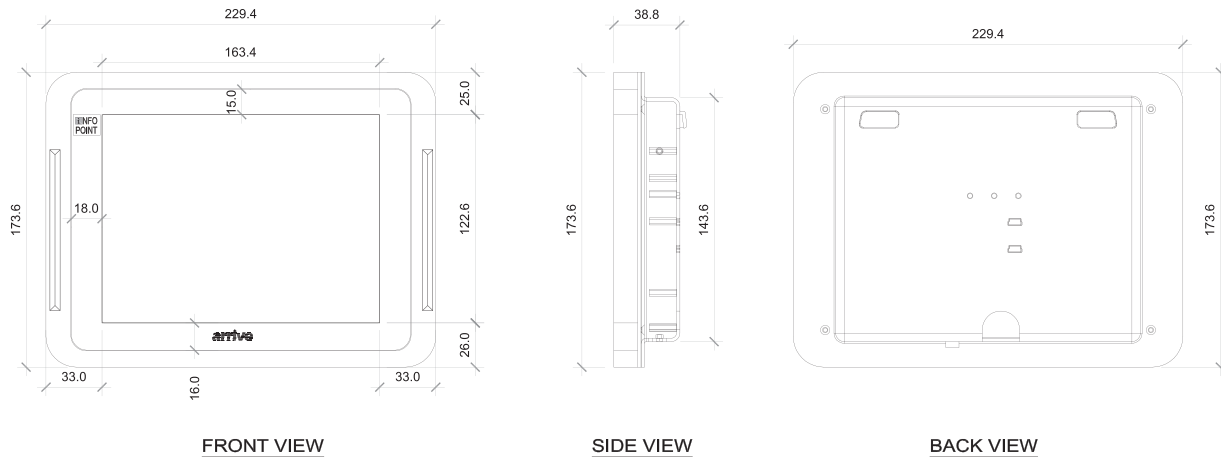
Regulatory certification	FCC Class A, CE
Environmental compliance	RoHS, WEEE

SPECIFICATIONS

Arrive InfoPoint™ ID- 800 Interactive Room Sign

Model AIP-ID-800

Dimensions and Weights*



Net Weight/unit	2.54 lbs (1.15 kg)
Unit dimension	9"Wx6.9"Hx1.5"D (229.4 x 173.6x 38.8mm)
Shipping dimensions at 1 unit/box:	10.7"x4.02"HWx8.66"L/D (271.78x102.108x219.964mm)
Gross Shipping weight	3.2 lbs (1.45 kg)

Purchasing information

Model No	AIP-ID-800
Description	Arrive InfoPoint™ ID- 800 Interactive Room Sign
SKU#	AIP-0800-002-001
Warranty Information	Please visit Arrive CarePoint for updated information on warranty

Software Support - AIP-APP-CFSS

Mandatory Arrive® InfoPoint™ CFSS - annual CarePoint Foundation Software Support to be purchased with each and every product unit. Arrive® FacePoint™ Appliance software support provides upgrades and remote technical support for the duration of the support agreement as per applicable terms and conditions. This is mandatory. Please visit our website www.arrivesys.com for more information

Hardware Support - AIP-APP-CFSS

Optional Arrive® InfoPoint™ ASAP -CarePoint Advanced Support Action Program , a hardware replacement service enhancement.